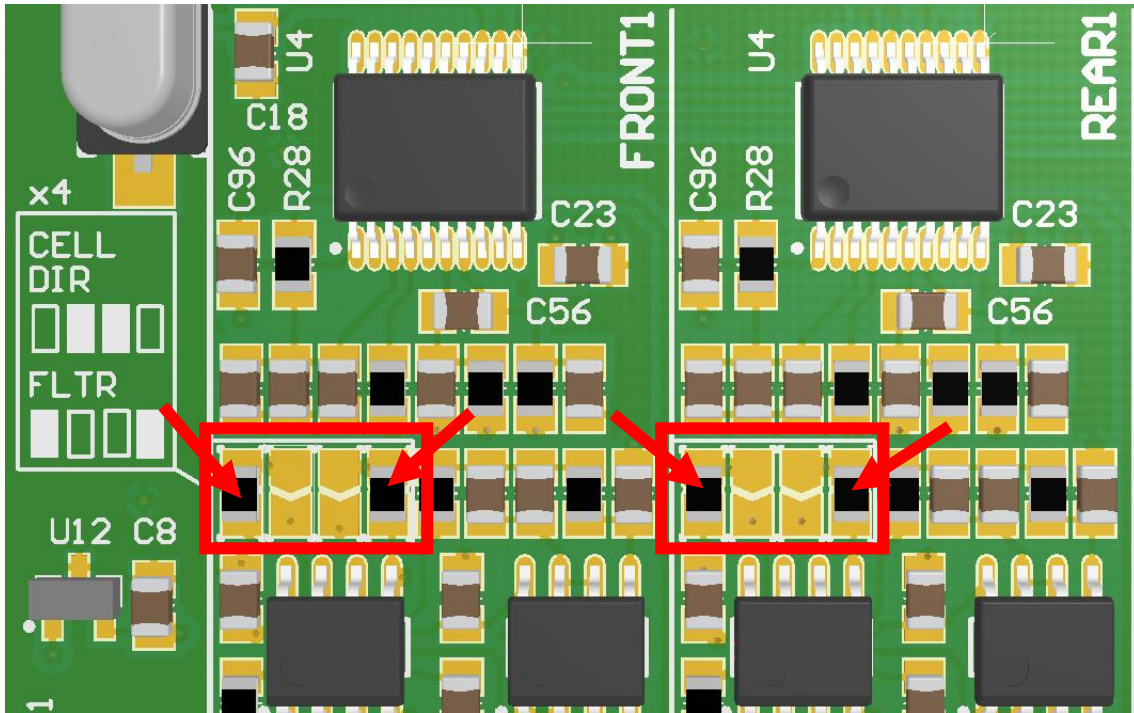
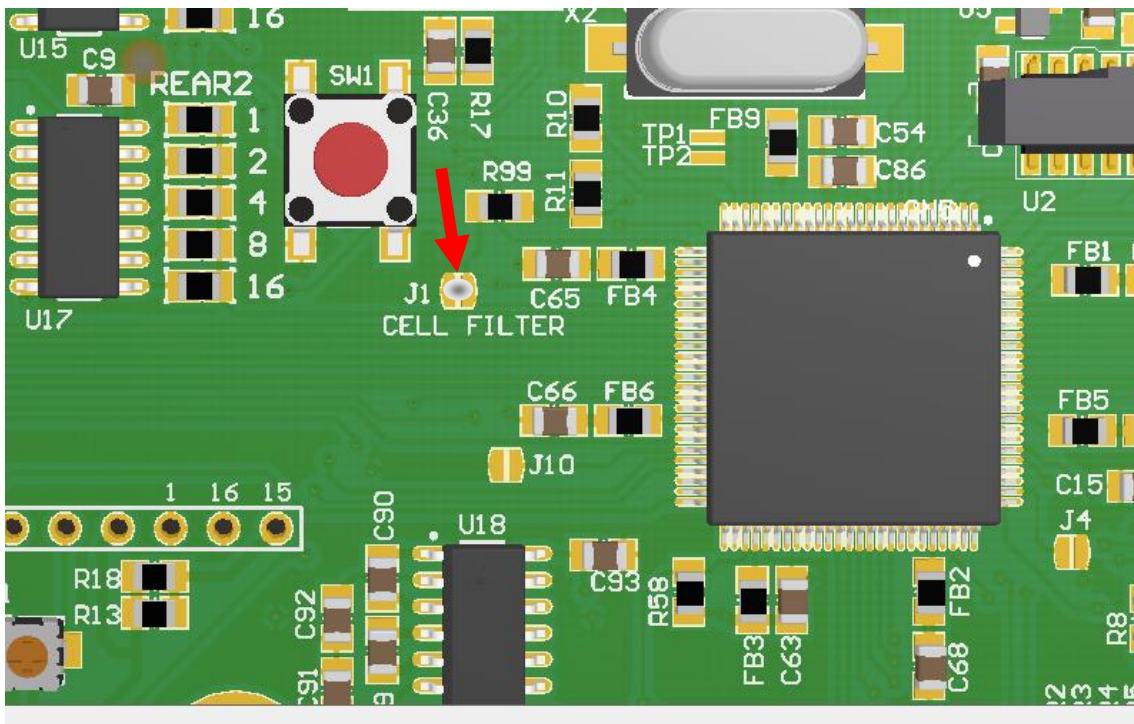


## SP6 filter enable

To **enable** the filter:



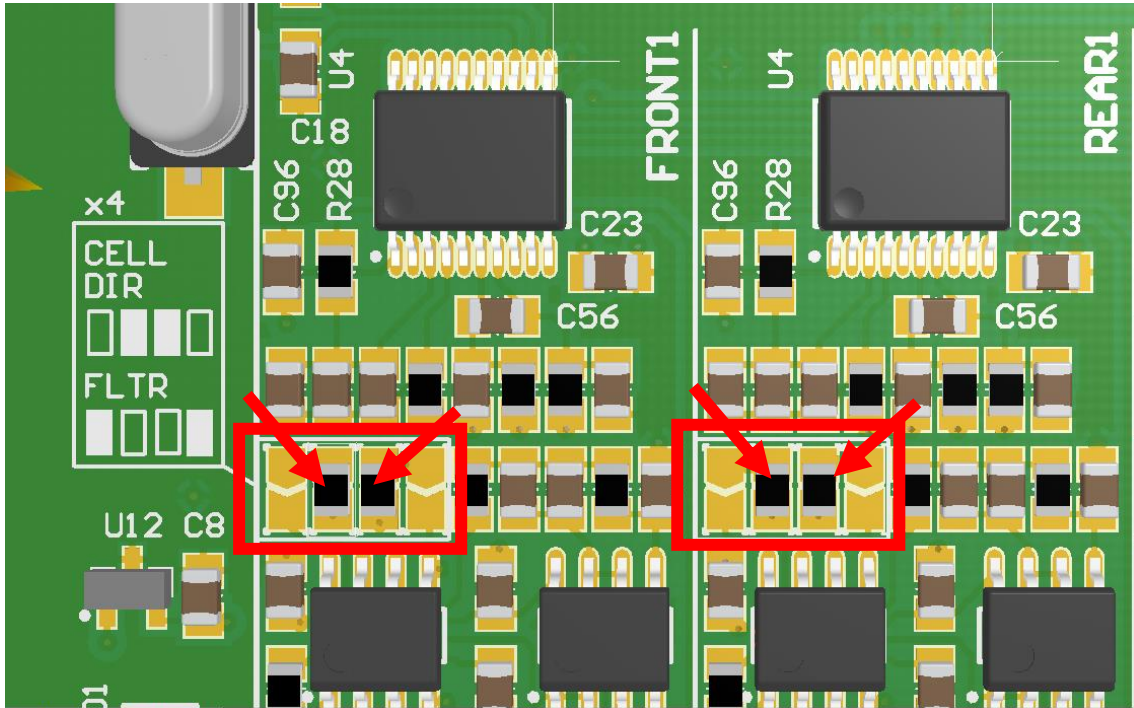
Within each red box, there are 4 solder jumpers. To **ENABLE** the filter, a solder connection should be made on the indicated positions (1 & 4). The other solder jumper should be left open (2 & 3) (image above)



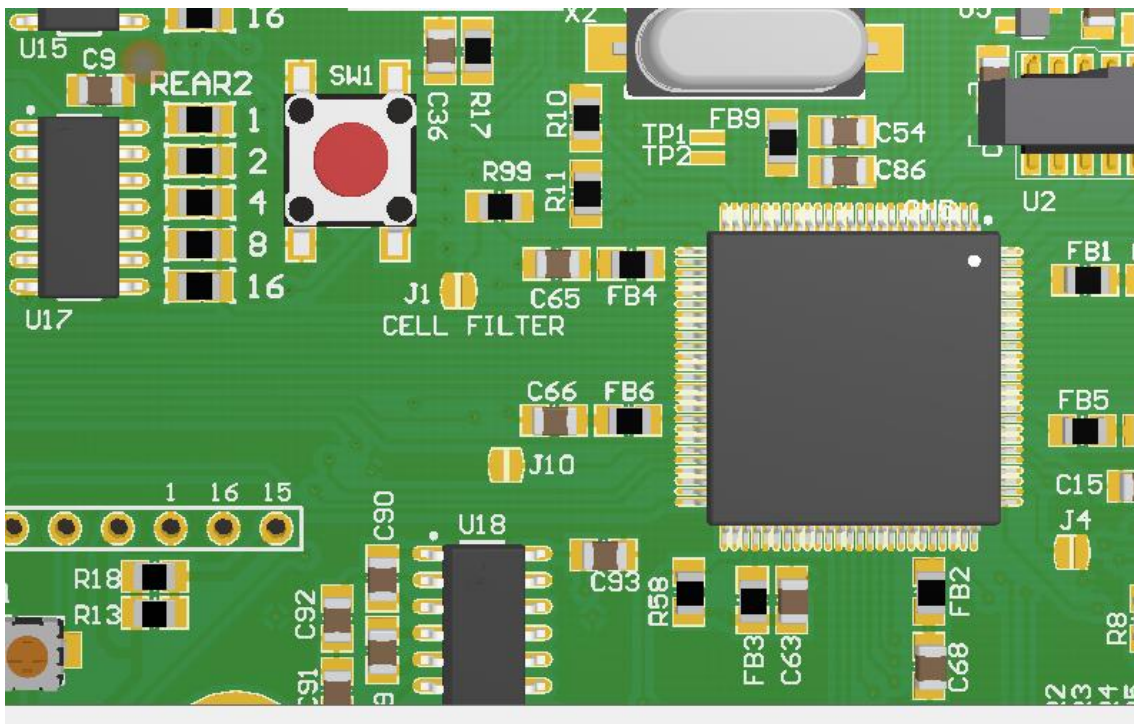
J1 (Cell Filter) solder jumper should be closed as well, using solder.

## SP6 filter disable

To **disable** the filter:



Within each red box, there are 4 solder jumpers. To **ENABLE** the filter, a solder connection should be made on the indicated positions (2 & 3). The other solder jumper should be left open (1 & 4) (image above)



J1 (Cell Filter) solder jumper should be left open.